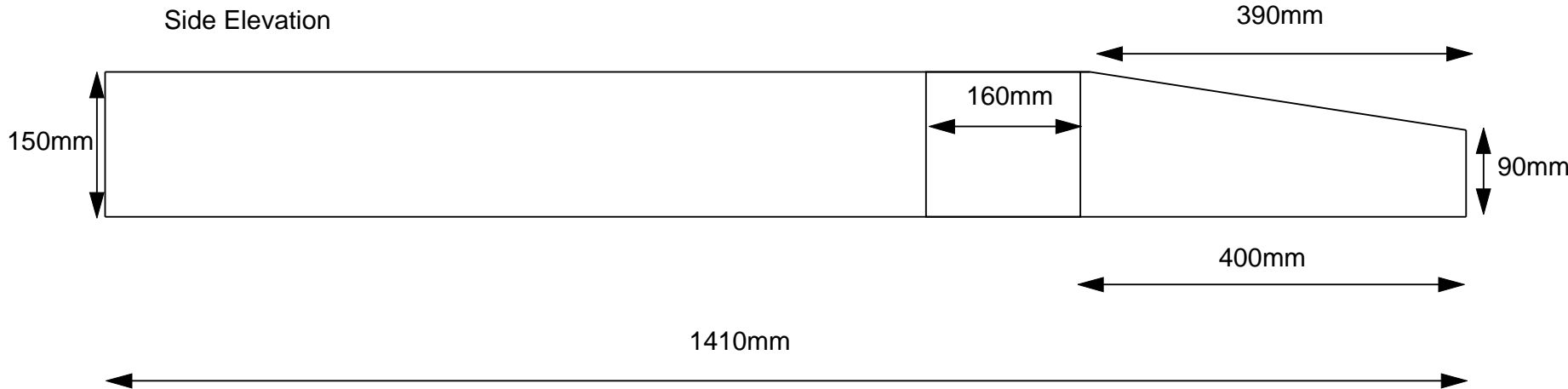


Right Hand vertical

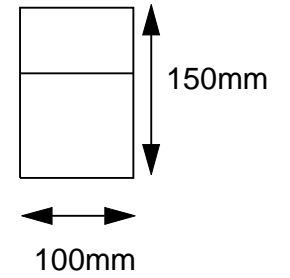
To be cut from treated softwood timber, 150 x 100 mm section. No planing needed !

Number required : 1 (one)

Side Elevation



End Elevation



Plan

